



ECO-ICM-PRO

Off-Grid Inverter

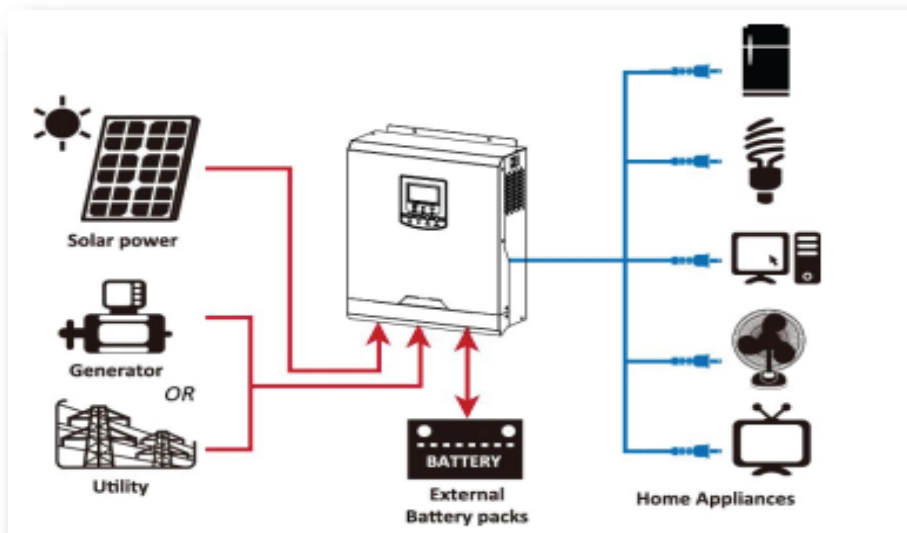
with MPPT Solar Charge and AC Charging

This is a multi-function inverter/charger, combining functions of inverter, solar charger and battery charger to offer uninterruptible power support with portable size. Its comprehensive LCD display offers user-configurable and easy-accessible button operation such as battery charging current, AC/solar charger priority, and acceptable input voltage based on different applications.

▶ Features

- > 100% pure sine wave inverter.
- > Selectable high power charging current.
- > Wide DC input range.
- > Configurable AC/Solar input priority via LCD setting.
- > Selectable input voltage range for home appliances and personal computers.
- > Smart battery charger design for optimised battery performance.
- > Auto restart while AC is recovering
- > Overload and short circuit protection.
- > Compatible to mains voltage or generator power.
- > Cold start function.

▶ Function



Model	ECO-ICM-V 5000-24
Rated Power	5000VA
Input	
Voltage	230 VAC
Selectable Voltage Range	170-280 VAC (For Personal Computers) 90-280 VAC (For Home Appliances)
Frequency Range	50 Hz / 60 Hz (Auto sensing)
Output	
AC Voltage Regulation (Batt. Mode)	230 VAC \pm 5%
Surge Power	10.000VA
Efficiency (Peak)	90%
Transfer Time	10 ms (For Personal Computers) 20 ms (For Home Appliances)
Waveform	Pure sine wave
Battery	
Battery Voltage	24 VDC
Floating Charge Voltage	27 VDC
Overcharge Protection	30 VDC
Solar & AC charger (MPPT)	
Maximum PV Array Power	2.000 W
MPPT Range @ Operating Voltage	30 VDC - 115 VDC
Maximum PV Array Open Circuit Voltage	145 VDC
Maximum Solar Charge Current (DC Amps)	80 A
Maximum AC Charge Current (DC Amps)	60 A
Maximum Charge Current	1400 A
Physical	
Dimension, D x W x H (mm)	180 x 310 x 475
Net Weight (kg)	12.5
Operating Enviroment	
Humidity	5% to 95% Relative Humidity (Non-condensing)
Operating Temperature	0°C to 55°C
Storage Temperature	-15°C to 60°C

- Specifications could be subject to change without any prior notice.
- ECO//SUN is not responsible for any print errors
- This version replaces all previous ones