



ECO-ICP-V

Off-Grid Inverter

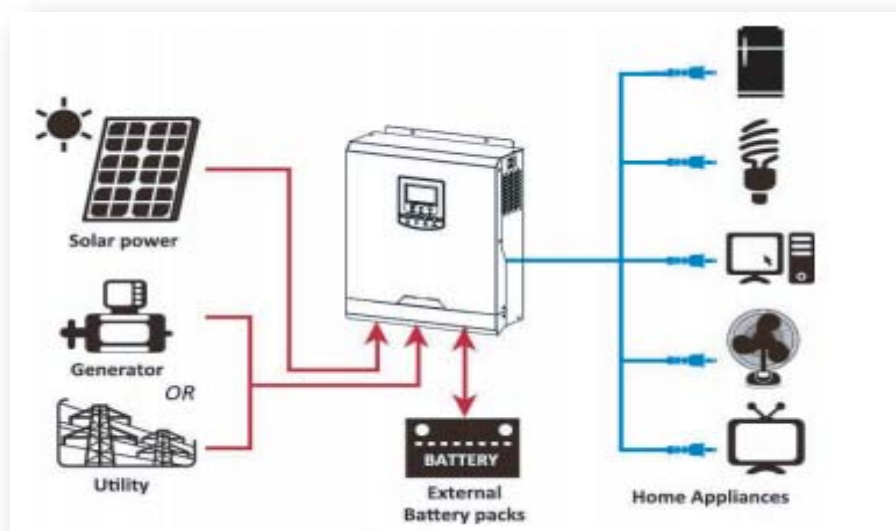
with PWM Solar Charge and AC Charging

This is a multi-function inverter/charger, combining functions of inverter, solar charger and battery charger to offer uninterruptible power support with portable size. Its comprehensive LCD display offers user-configurable and easy-accessible button operation such as battery charging current, AC/solar charger priority, and acceptable input voltage based on different applications.

▶ Features

- > 100% pure sine wave inverter.
- > Selectable high power charging current.
- > Wide DC input range.
- > Configurable AC/Solar input priority via LCD setting.
- > Selectable input voltage range for home appliances and personal computers.
- > Smart battery charger design for optimised battery performance.
- > Auto restart while AC is recovering
- > Overload and short circuit protection.
- > Compatible to mains voltage or generator power.
- > Cold start function.

▶ Function



- Specifications could be subject to change without any prior notice.
- ECO//SUN is not responsible for any print errors
- This version replaces all previous ones

Model	ECO-ICP-V 3000-24
Rated Power	3000VA
Input	
Voltage	230 VAC
Selectable Voltage Range	170-280 VAC (For Personal Computers) 90-280 VAC (For Home Appliances)
Frequency Range	50 Hz / 60 Hz (Auto sensing)
Output	
AC Voltage Regulation (Batt. Mode)	230 VAC \pm 5%
Surge Power	6000VA
Efficiency (Peak)	90% - 93%
Transfer Time	10 ms (For Personal Computers) 20 ms (For Home Appliances)
Waveform	Pure sine wave
Battery	
Battery Voltage	24 VDC
Floating Charge Voltage	27 VDC
Overcharge Protection	32 VDC
Solar & AC charger (PWM)	
Maximum PV Array Voc	75 VDC
Standby Power Consumption	2 W
Maximum Solar Charge Current (DC Amps)	50 A
Maximum AC Charge Current (DC Amps)	30 A
Maximum Charge Current	80 A
Physical	
Dimension, D x W x H (mm)	285 x 330 x 90
Net Weight (kg)	6.4
Operating Enviroment	
Humidity	5% to 95% Relative Humidity (Non-condensing)
Operating Temperature	-10°C to 55°C
Storage Temperature	-15°C to 60°C

- Specifications could be subject to change without any prior notice.
- ECO//SUN is not responsible for any print errors
- This version replaces all previous ones