

Off Grid Photovoltaic System

Photovoltaic System Equipment

> 1 Photovoltaic Module

ES - 60 POLY 290 PERC, 290 Wp/31,80Vmpp

> 1 Charge Controller

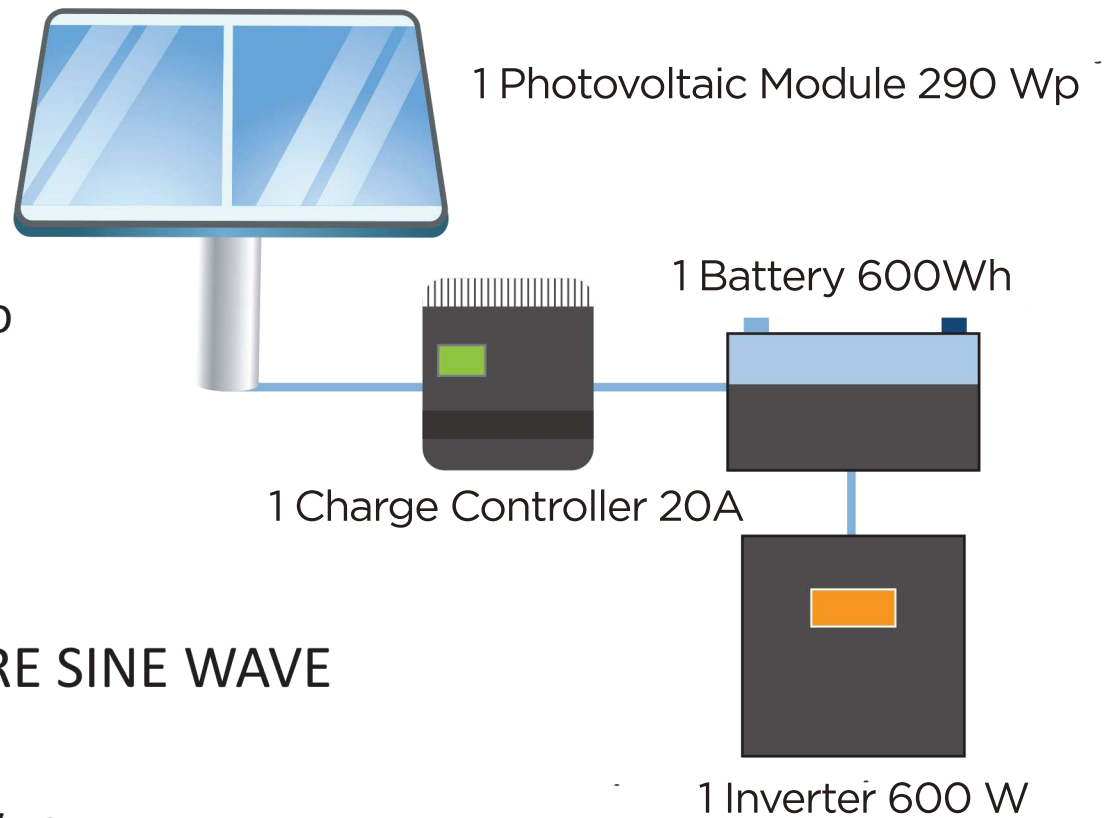
ES-SIMPLE CC2024, 20A, 12/24V

> 1 Inverter

ECO INVERTER DC-AC 600W/12V PURE SINE WAVE

> 1 Battery

ECOAGM A-150-12, 150Ah, C-100Ah/12V



Power Consumption

Daily Consumption Coverage in a country cottage during summer period



4 X

Lighting 4 electronic lamps LED (4W) - 4 hrs

TV (80W) - 3 hrs

