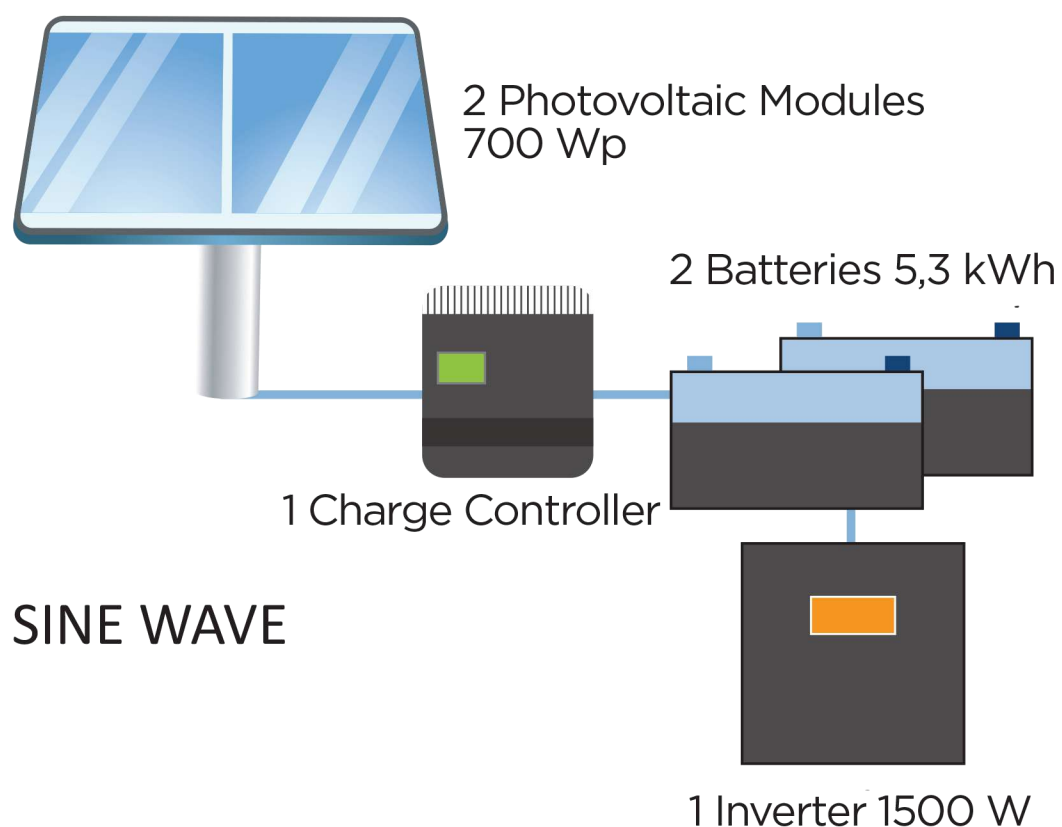


# Off Grid Photovoltaic System

## ▶ Photovoltaic System Equipment

- > **2 Photovoltaic Modules**  
ES-POLY 350, 350 Wp
- > **1 Charge Controller**  
ES-MPPT 3024
- > **1 Inverter**  
ECO INVERTER DC-AC 1500W/24V PURE SINE WAVE
- > **2 Batteries**  
ECOGEL G-220-12, 220Ah, C-100Ah/12V



## ▶ Power Consumption



Daily Consumption Coverage in a country cottage during summer period



5 X

Refrigerator Class A+ (max. 1 m height)

Lighting 5 electronic lamps LED (7W) - 4 hrs

TV (50W) - 3 hrs

