

# Off Grid Photovoltaic System

## Photovoltaic System Equipment

### > 3 Photovoltaic Modules

ES - 60 POLY 290 PERC, 290 Wp/31,80Vmpp

### > 1 Charge Controller

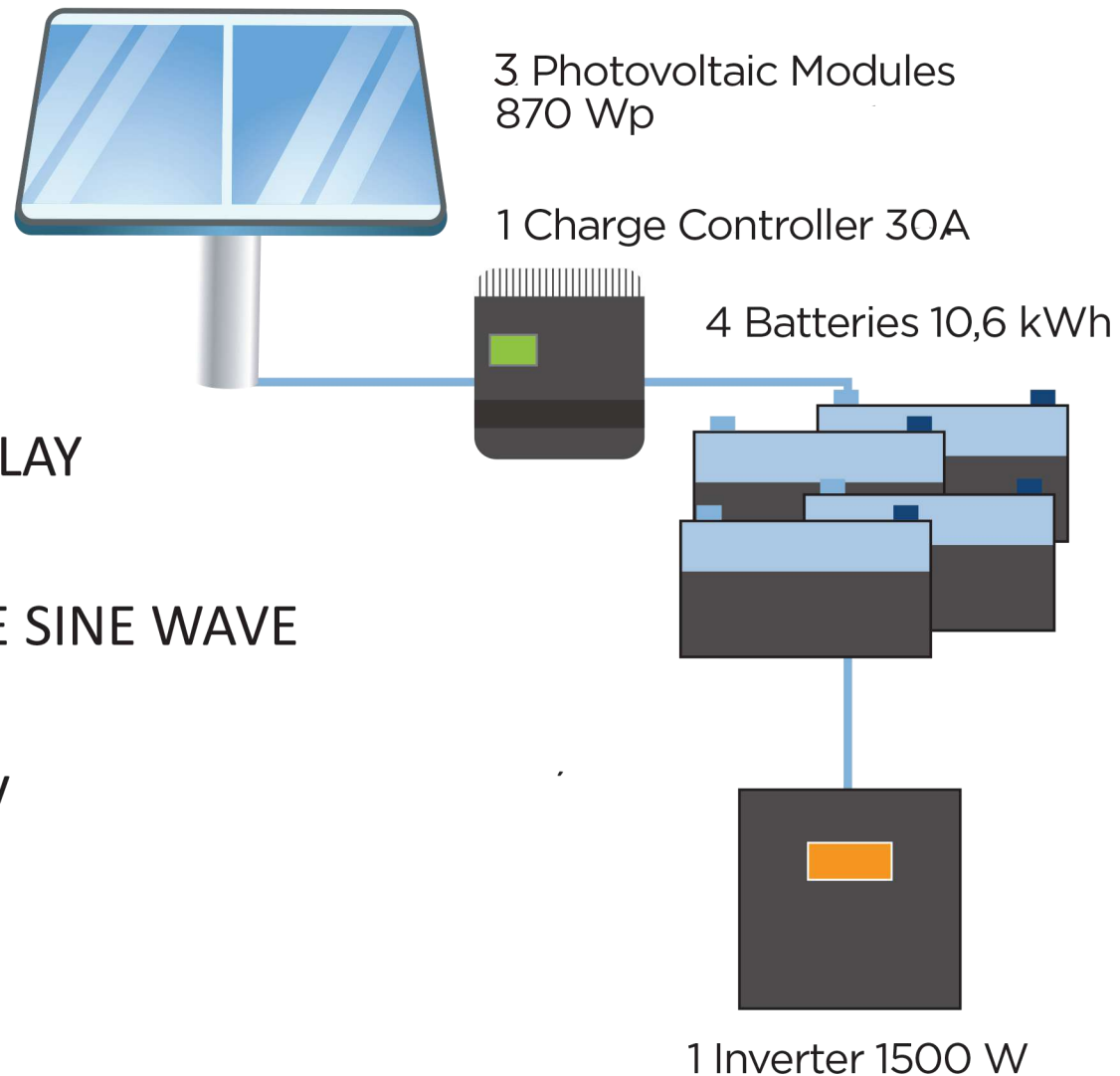
ES-MPPT 3024, 30A, 12/24V + LCD DISPLAY

### > 1 Inverter

ECO INVERTER DC-AC 1500W/24V PURE SINE WAVE

### > 4 Batteries

ECOGEL G-220-12, 220Ah, C-100Ah/12V



## Power Consumption

Daily Consumption Coverage in a country cottage during summer period



Refrigerator Class A+ (max. 1 m height)

Lighting 6 electronic lamps LED (7W) - 4 hrs

TV (50W) - 3 hrs

PC (100W) - 3 hrs

Kitchen Range Hood 150W - 1 hr

